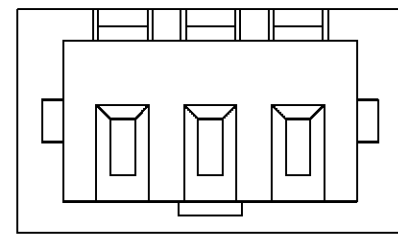
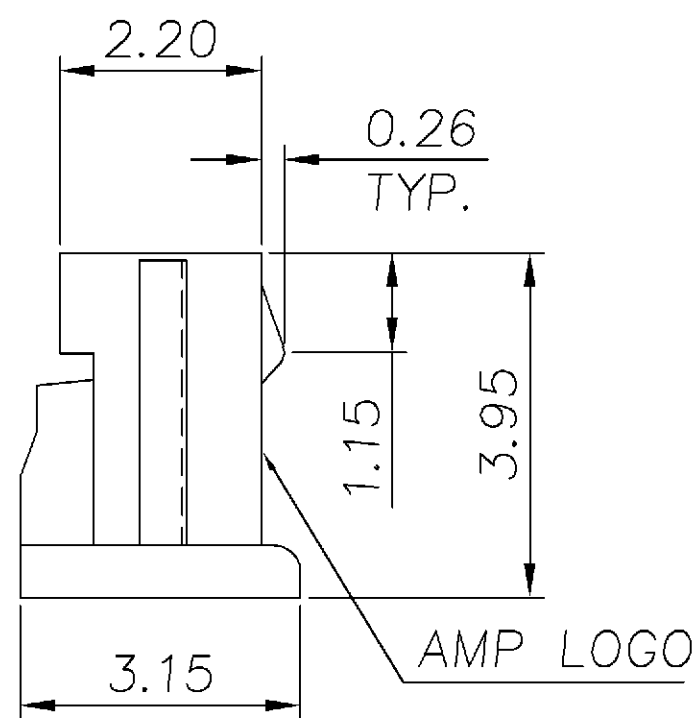


2 POS.



3 POS.



NOTE:  
 1. MATERIAL:  
 HOUSING: THERMOPLASTIC, UL 94V-0,  
 COLOR: NATURAL.  
 2. APPLY TERMINAL PART NO: X-440147-X.

|      |            |       |       |             |
|------|------------|-------|-------|-------------|
| 15   | 20.50      | 19.20 | 17.50 | 1-440146-5  |
| 14   | 19.25      | 17.95 | 16.25 | 1-440146-4  |
| 13   | 18.00      | 16.70 | 15.00 | 1-440146-3  |
| 12   | 16.75      | 15.45 | 13.75 | 1-440146-2  |
| 11   | 15.50      | 14.20 | 12.50 | 1-440146-1  |
| 10   | 14.25      | 12.95 | 11.25 | 1-440146-0  |
| 9    | 13.00      | 11.70 | 10.00 | 440146-9    |
| 8    | 11.75      | 10.45 | 8.75  | 440146-8    |
| 7    | 10.50      | 9.20  | 7.50  | 440146-7    |
| 6    | 9.25       | 7.95  | 6.25  | 440146-6    |
| 5    | 8.00       | 6.70  | 5.00  | 440146-5    |
| 4    | 6.75       | 5.45  | 3.75  | 440146-4    |
| 3    | 5.50       | 4.20  | 2.50  | 440146-3    |
| 2    | 4.25       | 2.95  | 1.25  | 440146-2    |
| POS. | A          | B     | C     | PART NUMBER |
|      | DIMENSIONS |       |       |             |

DIMENSIONS IN MILLIMETERS. DO NOT SCALE PRINT.

PRINT DIST  
DW

|             |             |                           |                                                          |  |
|-------------|-------------|---------------------------|----------------------------------------------------------|--|
| DIMENSION : | DWN         | O. HU                     | TE Connectivity                                          |  |
| 0 PLC ±     | 29-JUL-2003 | 29-JUL-2003               |                                                          |  |
| 1 PLC ±0.15 | CHK         | A. WU                     | NAME                                                     |  |
| 2 PLC ±0.10 | 29-JUL-2003 | 29-JUL-2003               |                                                          |  |
| 3 PLC ±0.05 | MATERIAL    | APVD                      | WIRE TO BOARD SOCKET,<br>HOUSING, 1.25 PITCH.            |  |
| ANGLES ±3'  | SEE NOTE    | J. CHENG                  |                                                          |  |
|             | FINISH      | 29-JUL-2003               | LOC SIZE DRAWING NO REV<br>DW A <sub>3</sub> C-440146 B1 |  |
|             | SEE NOTE    | PRODUCT SPEC              |                                                          |  |
|             |             | 108-57225                 | SCALE SHEET                                              |  |
|             |             | QUALIFICATION TEST REPORT |                                                          |  |
|             |             | 501-57229                 | -- 1 OF 2                                                |  |
|             |             | WEIGHT                    |                                                          |  |

|     |                 |                             |            |         |
|-----|-----------------|-----------------------------|------------|---------|
| B1  | REVISION RECORD | REVISD PER<br>ECO-11-005301 | RK<br>HMR  | 02APR11 |
| LTR | ECO             | ECO                         | DWN<br>CHK | DATE    |

